

Aerovox®

**Axial Leaded
Film Capacitors**

**METALLIZED POLYESTER
AND POLYPROPYLENE FOR
MULTIPLE APPLICATIONS**

RoHS COMPLIANT



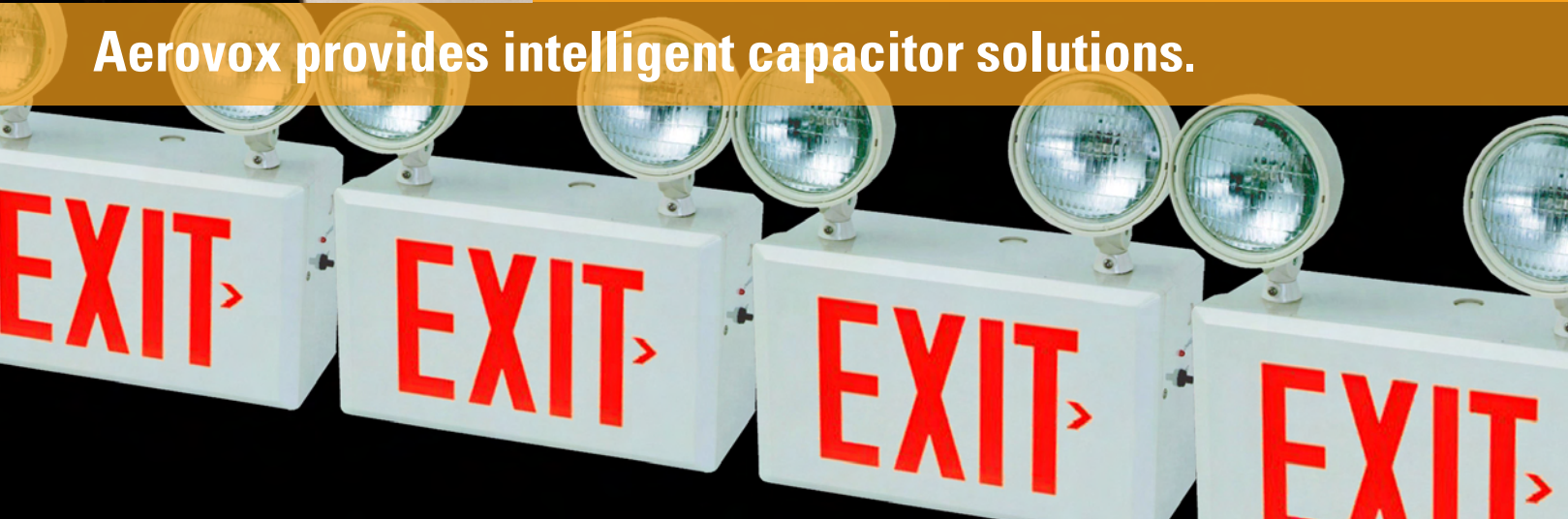
Intelligent Capacitor Solutions

Aerovox can address all your capacitor needs. Our lines of rugged, reliable axial leaded film capacitors are available as standard items in many configurations to address a wide range of applications.

Aerovox maintains manufacturing facilities in China and India to enable quick turn-around for shipping and delivery worldwide. All capacitors are built using Lean Six Sigma manufacturing practices and undergo rigorous quality assurance testing. If you have specialized needs, our flexible manufacturing processes allow us to quickly provide custom configurations.



Aerovox provides intelligent capacitor solutions.



Axial Leaded Film Capacitors

METALLIZED POLYESTER AND POLYPROPYLENE FOR MULTIPLE APPLICATIONS



With their wide range of configurations and types, Aerovox's axial leaded film capacitors are suitable for many different applications. They are available round or flat, and in AC and DC voltage ratings. Wrap and fill capacitors are available in custom packages. All axial leaded film capacitors are UL 94 VO and IEC 695-2-2 certified and RoHS compliant.

AREM Round and AFEO Flat Axial Metallized Polyester

Types AREM and AFEO are axial leaded metallized polyester capacitors for general purpose use in blocking, coupling and filtering applications.

Highlights

- High CV for small size
- Bulk or T&R for AREM; bulk only for AFEO

ARPS Round and AFPS Flat Axial Metallized Polypropylene Capacitors

Types ARPS and AFPS are designed for high current AC applications.

Highlights

- High Current
- Low ESR
- Low DF

ARPM Axial Metallized Polypropylene Capacitors

Type ARPM is a stable metallized polypropylene capacitor that is ideal for pulsing applications that require a high dV/dt rating with low DF and ESR. ARPM fits well into switching power supply applications.

Highlights

- High dV/dt
- Low ESR
- Low DF

"W" Wrap & Fill

Type W is a tape wrapped axial leaded dry capacitor designed for use in a variety of permanent split-phase capacitor motor applications widely used in ventilating fans, appliances and refrigeration. The AC capacitors provide starting direction by shifting the current in the windings so that the motor simulates the operation of a two-phase motor.

Applications

- Blocking, coupling and filtering (Types AREM and AFEO)
- UPS (Uninterruptible Power Supplies)
- Switching power supply (Type ARPM)
- Pulsing requiring high dV/dt ratings with low DF and ESR (Type ARPM)
- High current AC (Types ARPS and AFPS)

Axial Leaded Film Capacitors

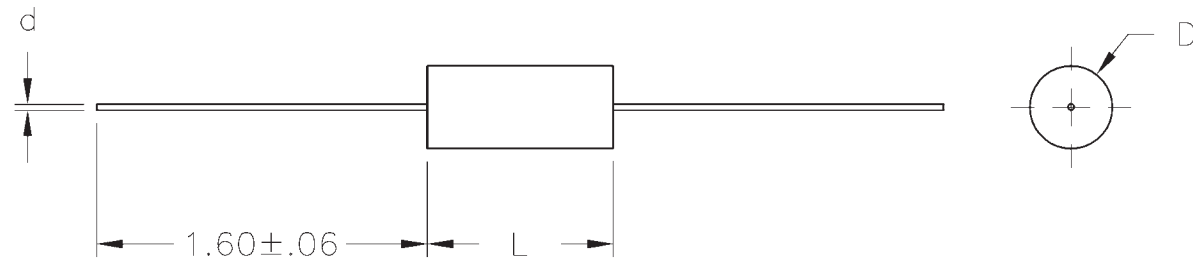
METALLIZED POLYESTER AND POLYPROPYLENE FOR MULTIPLE APPLICATIONS

Specifications

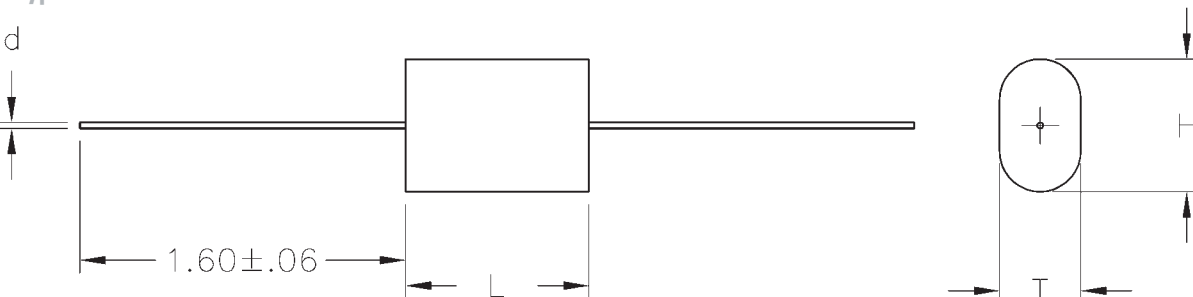
Capacitance Range:	.001 μ F to 20.0 μ F (Types AREM and AFEO) .0033 μ F to 10.0 μ F (Type ARPM) 0.47 μ F to 20.0 μ F (Types ARPS and AFPS)
Capacitance Tolerance:	\pm 10% (K) Standard \pm 5% (J) Special \pm 2% (G) Special
Voltage Range:	63 VDC (40 VAC) to 630 VDC (220 VAC) (Types AREM and AFEO) 150 VDC (90 VAC) to 630 VDC (280 VAC) (Type ARPM) 300 VDC (220 VAC) to 600 VDC (300VAC) (Types ARPS and AFPS)
Dissipation Factor:	\leq 0.8% @ 1 kHz (Types AREM and AFEO) \leq 0.1% @ 1 kHz (Types ARPM, ARPS, and AFPS)
Operating Temperature Range:	-55°C to +125°C. Full rated voltage @ 85°C, derating linearly to 50% rated voltage at 125°C (Types AREM and AFEO) -55°C to +105°C. Full rated voltage @ 85°C, derating 1.25%/°C from 85°C to 105°C (Types ARPM, ARPS and AFPS)
Dielectric Absorption:	0.30% typical (Types AREM and AFEO) 0.05% typical (Types ARPM, ARPS and AFPS)

Outline Drawings

Types ARPS, ARPM and AREM



Types AFEO and AFPS



Axial Leaded Film Capacitors

METALLIZED POLYESTER AND POLYPROPYLENE FOR MULTIPLE APPLICATIONS

Axial Leaded Tape & Reel Specification

According to EIA-296-E

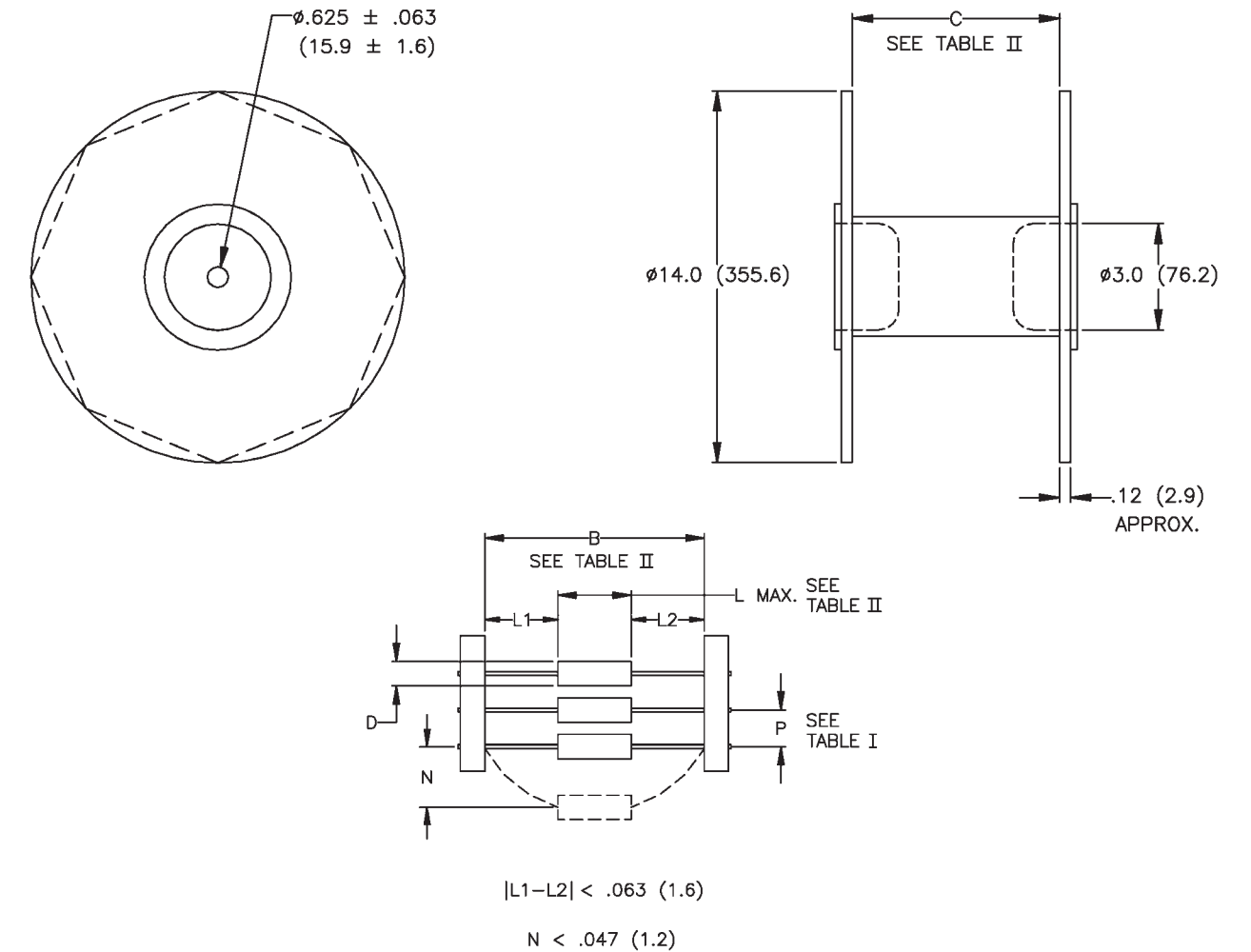


Table I

D Inches (mm)	P Inches (mm)
$\leq .20$ (5.0)	.20 (5.0) \pm .02 (.50)
.20 (5.0) – 37 (9.5)	.40 (10.0) \pm .02 (.50)
.38 (9.6) – .58 (14.7)	.60 (15.0) \pm .02 (.50)

Table III

Component Diameter D Inches (mm)	Components per Reel
$D \leq .20$ (5.0)	3000
.20 (5.0) < $D \leq .26$ (6.5)	1200
.26 (6.5) < $D \leq .28$ (7.0)	1100
.28 (7.0) < $D \leq .30$ (7.5)	1000
.30 (7.5) < $D \leq .33$ (8.5)	800
.33 (8.5) < $D \leq .41$ (10.5)	500
.41 (10.5) < $D \leq .51$ (13.0)	300
.51 (13.0) < $D \leq .58$ (14.7)	250

Table II

L Max Inches (mm)	Code*	B Inches (mm)	C Inches (mm)
$\leq .43$ (11.0)	R1	2.06 (52.4) \pm .06 (1.5)	2.95 (75)
.43 (11.0) < $L \leq .81$ (20.5)	R2	2.50 (63.6) \pm .06 (1.5)	3.39 (86)
>.81 (20.5)	R3	2.87 (73) \pm .06 (1.5)	3.74 (95)

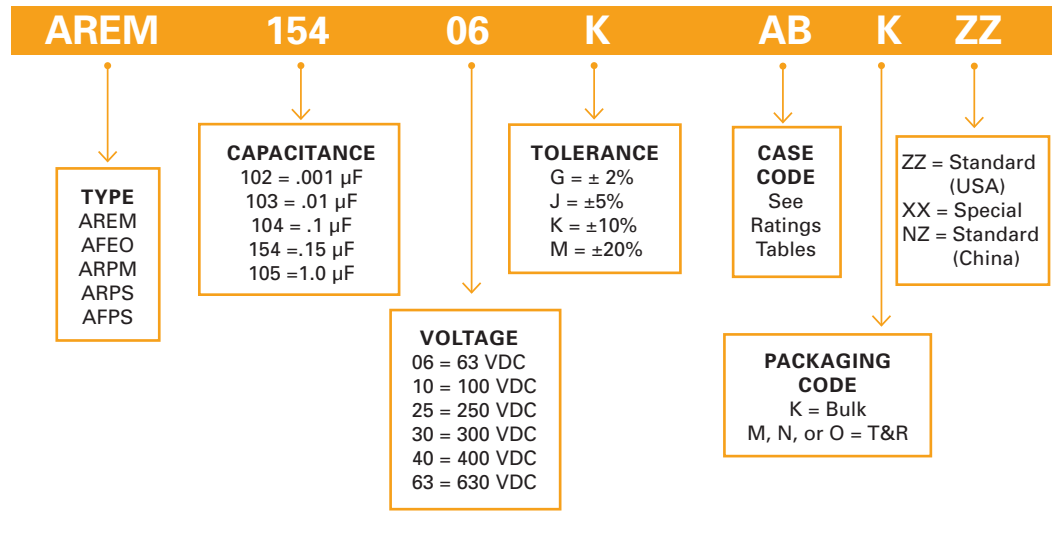
* According to EIA-296-E

Axial Leaded Film Capacitors

METALLIZED POLYESTER AND POLYPROPYLENE FOR MULTIPLE APPLICATIONS

Part Numbering System Round and Flat Axials

Aerovox's part numbering system is a descriptive part number made up of several different components such as voltage rating, capacitance, etc. The descriptors are explained here using AREM15406KABKZZ as a representative part number:



Type AFEO Flat Axial Metallized Polyester

CAP (μF)	AEROVOX P/N	DIMENSIONS T x H x L Inches (mm)	CASE CODE	WIRE DIAMETER Inches (mm)
100 VDC (63 VAC)				
5.0	AFEO50510KKRKZZ	.42 x .75 x 1.25 (10.7 x 19.1 x 31.8)	KR	.032 (.8)
250 VDC (160 VAC)				
1.0	AFEO10525KILKZZ	.30 x .55 x .94 (7.6 x 14.0 x 23.9)	IL	.032 (.8)
5.0	AFEO50525KPPKZZ	.49 x .98 x 1.25 (12.4 x 24.9 x 31.8)	PP	.032 (.8)
10.0	AFEO10625KXUKZZ	.55 x 1.05 x 1.76 (14.0 x 26.7 x 44.7)	XU	.032 (.8)
20.0	AFEO20625K2XKZZ	.73 x 1.25 x 2.26 (18.5 x 31.8 x 57.4)	2X	.032 (.8)
400 VDC (200 VAC)				
.047	AFEO47340KADKZZ	.20 x .35 x .56 (5.1 x 8.9 x 14.2)	AD	.025 (.6)
.22	AFEO22440KFLKZZ	.32 x .60 x .94 (8.1 x 15.2 x 23.9)	FL	.032 (.8)
1.0	AFEO10540KMRKZZ	.45 x .75 x 1.25 (11.4 x 19.1 x 31.8)	MR	.032 (.8)
3.0	AFEO30540KXUKZZ	.80 x 1.15 x 1.76 (16.2 x 27.4 x 57.4)	XU	.032 (.8)

Inquire regarding custom ratings, sizes, and configurations.

Axial Leaded Film Capacitors

METALLIZED POLYESTER AND POLYPROPYLENE FOR MULTIPLE APPLICATIONS

Type AREM Round Axial Metallized Polyester

CAP (μF)	AEROVOX P/N	DIMENSIONS D x L Inches (mm)	CASE CODE	WIRE DIAMETER Inches (mm)
63 VDC (40 VAC)				
1.0	AREM10506KGIKZZ	.315 x .807 (8 x 20.5)	GI	.032(.8)
100 VDC (63 VAC)				
1.5	AREM15510KKOKZZ	.394 x 1.10 (10 x 28)	KO	.032 (.8)
10.0	AREM10610K2PKZZ	.729 x 1.30 (18.5 x 33)	2P	.040 (1.02)
250 VDC (160 VAC)				
.10	AREM10425KDEKZZ	.256 x .650 (6 x 16.5)	DE	.025 (.6)
2.2	AREM22525KPOKZZ	.512 x 1.10 (13 x 28)	PO	.032 (.8)
15.0	AREM15625K4UKZZ	.965 x 1.81 (24.5 x 46)	4U	.040 (1.02)
400 VDC (200 VAC)				
1.0	AREM10540KRPKZZ	.531 x 1.30 (13 x 33)	RP	.032 (.8)
630 VDC (280 VAC)				
1.0	AREM10563KRPKZZ	.709 x 1.81 (18 x 46)	1U	.032 (.8)

Inquire regarding custom ratings, sizes, and configurations.

Type ARPS Round Axial Metallized Polypropylene

CAP (μF)	AEROVOX P/N	DIMENSIONS D x L Inches (mm)	CASE CODE	CURRENT (A)	WIRE DIAMETER (AWG)
300 VDC (220 VAC)					
1.0	ARPS10530KROKZZ	.50 x 1.05 (12.7 x 26.7)	RO	0.7	20
3.0	ARPS30530K1PKZZ	.71 x 1.25 (18.0 x 31.8)	1P	2.0	20
5.0	ARPS50530K2UKZZ	.74 x 1.75 (18.8 x 44.5)	2U	3.3	20
10.0	ARPS10630K4UKZZ	1.00 x 1.75 (25.4 x 44.5)	4U	6.6	20
400 VDC (250 VAC)					
1.0	ARPS10540KCAKZZ	.50 x 1.25 (12.7 x 31.8)	CA	11	9
5.0	ARPS50540K3UKZZ	.86 x 1.75 (21.8 x 44.5)	3U	7	17
10.0	ARPS10640K9XKZZ	1.00 x 2.25 (25.4 x 57.2)	9X	7	18

Inquire regarding custom ratings, sizes, and configurations.

Axial Leaded Film Capacitors

METALLIZED POLYESTER AND POLYPROPYLENE FOR MULTIPLE APPLICATIONS

Type ARPM Round Axial Metallized Polypropylene

CAP (μF)	AEROVOX P/N	DIMENSIONS D x L Inches (mm)	CASE CODE	WIRE DIAMETER Inches (mm)
150 VDC (90 VAC)				
.22	ARPM22415KDFKZZ	.256 x .718 (6.5 x 18.3)	DF	.025 (.6)
.33	ARPM33415KFFKZZ	.295 x .718 (7.5 x 18.3)	FF	.032 (.8)
1.0	ARPM10515KKKKZZ	.394 x .938 (10.0 x 23.8)	KK	.032 (.8)
3.0	ARPM30515KKKKZZ	.650 x .938 (16.5 x 23.8)	KK	.032 (.8)

250 VDC (200 VAC)

.22	ARPM22425KGKKZZ	.315 x .938 (8.0 x 24.0)	GK	.032 (.8)
.33	ARPM33425KIKKZZ	.354 x .938 (9.0 x 24.0)	IK	.032 (.8)
.47	ARPM47425KLLKZZ	.413 x .938 (10.5 x 24.0)	LK	.032 (.8)
.68	ARPM68425KPKKZZ	.492 x .938 (12.5 x 24.0)	PK	.032 (.8)
3.0	ARPM30525KYUKZZ	.669 x 1.75 (17.0 x 44.5)	YU	.032 (.8)
10.0	ARPM10625K9XKZZ	1.00 x 2.25 (25.4 x 57.0)	9X	.032 (.8)

Inquire regarding custom ratings, sizes, and configurations.

Type ARPM Round Axial Metallized Polypropylene (cont.)

CAP (μF)	AEROVOX P/N	DIMENSIONS D x L Inches (mm)	CASE CODE	WIRE DIAMETER Inches (mm)
400 VDC (250 VAC)				
.047	ARPM47340KDFKZZ	.256 x .718 (6.5 x 18.3)	DF	.032 (.8)
.10	ARPM10440KHFKZZ	.335 x .718 (8.5 x 18.3)	HF	.032 (.8)
.47	ARPM47440KSKKZZ	.511 x .938 (14.0 x 24.0)	SK	.032 (.8)
2.0	ARPM20540K1UKZZ	.709 x 1.75 (18.0 x 44.5)	1U	.032 (.8)
5.0	ARPM50540K8UKZZ	1.25 x 1.75 (31.8 x 44.5)	8U	.032 (.8)

630 VDC (280 VAC)

.10	ARPM10363KCKKZZ	.236 x .562 (6.0 x 14.3)	CC	.025 (.6)
-----	-----------------	--------------------------	----	-----------

Inquire regarding custom ratings, sizes, and configurations.

Axial Leaded Film Capacitors

METALLIZED POLYESTER AND POLYPROPYLENE FOR MULTIPLE APPLICATIONS

AFPS Flat Axial Metallized Polypropylene

CAP (μF)	AEROVOX P/N	DIMENSIONS T x H x L Inches (mm)	CASE CODE	CURRENT (A)	WIRE DIAMETER (AWG)
300 VDC (220 VAC)					
3.0	AFPS30530KRPKZZ	.50 x .87 x 1.25 (12.7 x 22.1 x 31.8)	RP	2.0	20
10.0	AFPS10630KWWKZZ	.64 x 1.15 x 2.10 (16.3 x 29.2 x 53.3)	WW	6.6	20
12.0	AFPS12630K1WKZZ	.72 x 1.22 x 2.10 (18.3 x 40.0 x 53.3)	1W	8.0	20

Inquire regarding custom ratings, sizes, and configurations.

AFPS Flat Axial Metallized Polypropylene (cont.)

CAP (μF)	AEROVOX P/N	DIMENSIONS T x H x L Inches (mm)	CASE CODE	ESR MAX 20 -100 kHz (mΩ)	CURRENT (A)	WIRE DIAMETER (AWG)
400 VDC (250 VAC)						
2.0	AFPS20540K2PKZZ	.50 x .82 x 1.25 (12.7 x 20.8 x 31.8)	2P	9	10	20
3.3	AFPS33540KGBKZZ	.69 x .93 x 1.25 (17.5 x 23.6 x 31.8)	GB	7	15	20
4.7	AFPS47540KADKZZ	.64 x .95 x 1.75 (16.3 x 24.1 x 44.5)	AD	7	17	18
5.0	AFPS50540KFDKZZ	.67 x 1.00 x 1.75 (17.0 x 25.4 x 44.5)	FD	7	17	18
10.0	AFPS10640KBEKZZ	.75 x 1.28 x 2.25 (19.1 x 32.5 x 57.2)	BE	7	18	18

600 VDC (300 VAC)

1.0	AFPS10560KHBKZZ	.60 x .80 x 1.25 (15.2 x 20.3 x 31.8)	HB	8	9	20
5.0	AFPS50560KDEKZZ	.95 x 1.25 x 2.25 (24.1 x 31.8 x 57.2)	DE	7	18	18

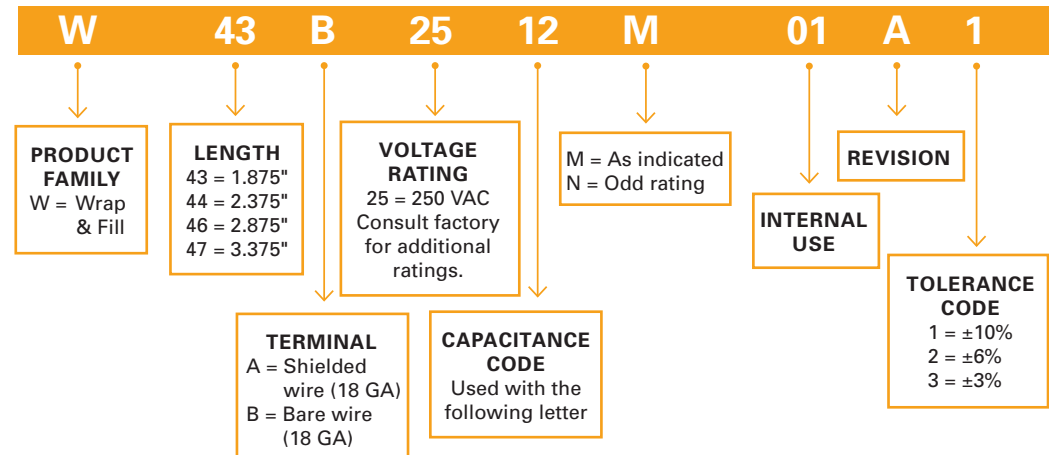
Inquire regarding custom ratings, sizes, and configurations.

Axial Leaded Film Capacitors

METALLIZED POLYPROPYLENE FOR MULTIPLE APPLICATIONS

Part Numbering System Wrap & Fill

Aerovox's part numbering system is a descriptive part number made up of several different components such as voltage rating, capacitance, etc. The descriptors are explained below using W43B2512M01A1 as a representative part number:



Type W Wrap & Fill

CAP (μF)	AEROVOX P/N	DIAMETER (Inches)	LENGTH (Inches)	CAP (μF)	AEROVOX P/N	DIAMETER (Inches)	LENGTH (Inches)
Up to 250 VAC 90°C				Up to 250 VAC 90°C (cont.)			
5	W43x2505M	0.88	1.88	30	W44x2530M	1.39	2.38
7	W43x2507M	0.87	1.88	32	W46x2532M	1.28	2.88
8	W43x2508M	0.92	1.88	34	W46x2534M	1.32	2.88
10	W43x2510M	1.00	1.88	35	W46x2535M	1.33	2.88
12	W43x2512M	1.08	1.88	36	W46x2536M	1.35	2.88
13	W43x2513M	1.11	1.88	40	W46x2540M	1.41	2.88
14	W43x2514M	1.15	1.88	42	W47x2542M	1.32	3.38
15	W43x2515M	1.18	1.88	45	W47x2545M	1.36	3.38
16	W44x2516M	1.06	2.38	48	W47x2548M	1.40	3.38
17	W44x2517M	1.09	2.38	52	W47x2552M	1.45	3.38
17.5	W44x2517N	1.10	2.38	55	W47x2555M	1.49	3.38
20	W44x2520M	1.16	2.38	56	W47x2556M	1.50	3.38
22.5	W44x2522N	1.22	2.38	60	W47x2560M	1.55	3.38
24	W44x2524M	1.26	2.38	65	W47x2565M	1.61	3.38
26	W44x2526M	1.30	2.38				
28	W44x2528M	1.34	2.38				

Inquire regarding custom ratings, sizes, and configurations.

About Aerovox

Aerovox is a leading manufacturer of capacitors for industrial, medical and specialized applications, with world-class design, manufacturing and testing facilities in New Bedford, MA. Global manufacturing facilities in China and India enable quick turn-around for shipping and delivery worldwide.

Aerovox capacitors are among the world's most reliable components. Our extensive custom design and development capabilities coupled with broad, standardized product offerings allow us to provide intelligent capacitor solutions that meet or exceed customers' application requirements.

Our aim is to be the best and most sought after provider of capacitor solutions for specialty markets in the world by achieving the highest level of customer satisfaction with extraordinary emphasis on the creation of value and speed to market.

The Aerovox logo consists of the word "Aerovox" in a white, sans-serif font, with a registered trademark symbol (®) to the upper right of the letter 'x'. The logo is positioned on the left side of the page, above the contact information.

Aerovox Corp.
167 John Vertente Blvd.
New Bedford, MA 02745
Tel: +1-508-994-9661
Fax: +1-508-995-3000
www.aerovox.com

Aerovox China
28 Wangehun Rd
Ningbo, Zhejiang
China

Aerovox India
Plot # 30 to 33
Hardware Park
Imarat Kancha
Raviryal Village
Maheshwaram Mandal
R R District – 500 066
Andhra Pradesh State
India

Copyright 2011, Aerovox Corp. All rights reserved.
Aerovox is a registered trademark of Aerovox Corp.

AX01201 Printed in the USA